

Jinma2004

EEC approved (L7e)

Positioning:

The delivery solution for the last mile of the city. Cold chain, takeaway, express delivery, logistics supermarket distribution, etc., are the short-distance cargo transportation vehicles within the city.



4 wheels, 1 seat

Size: 3600*1345*1765mm

The size of cargo box: 1635*1050*1058mm

The size of hopper: 1635*1050*400mm

Curb weight:510kg

Loading capacity : 550kg

Max. speed: :52km/h

105Ah lithium battery Max distance 90km ,with fast charge system, full charge in 3 hours;

Options 206Ah lithium battery Max distance can reach 170km, with fast charge system, full charge in 6 hours.

Color: White&Silver Red&Silver Blue&Silver Grey&Black

Details of the vehicle:

1. ABS Resin Plastic Cover and painting

Whole cover with ABS Resin plastic , have excellent comprehensive physical, impact resistance ,Stability, two-thirds lighter weight than iron.

Automobile-grade,Robot-painting .



2, LED Light System

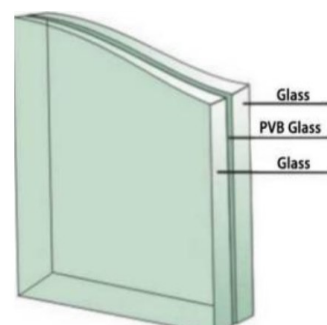
The integrate LED head & rear-light

Turn lights, brake lights, reverse lights. Low power consumption and increase 50% more in light transmittance.



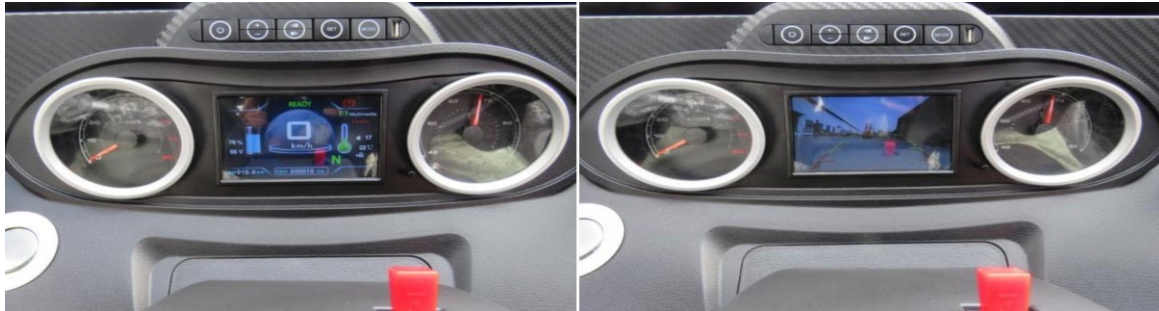
3, Front Windshield

CCC certified tempered and laminated glass Improve visual and more safety.



4, Dashboard

LCD display, volt meter, power meter, kilometer and reverse camera, plus Bluetooth, MP5, USB connector.



5, Central lock and One button start



6, Electric Windows

7, Mat on the whole car



8, Optional Air Conditioner

9, Seat with belt

Genuine Leather with PU, optional rotating seat for easy getting on and off.



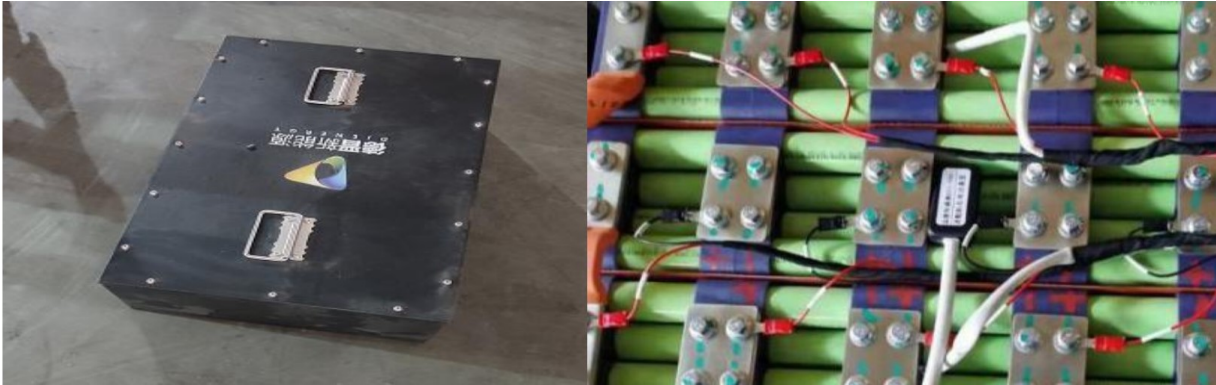
10.AC Motor (4000W or 5000W)

AC motor with powerful and water proof, lower noise, no carbon brush, maintenance-free. Equipped with fast home charging system.

11.Lithium Iron Phosphate Battery

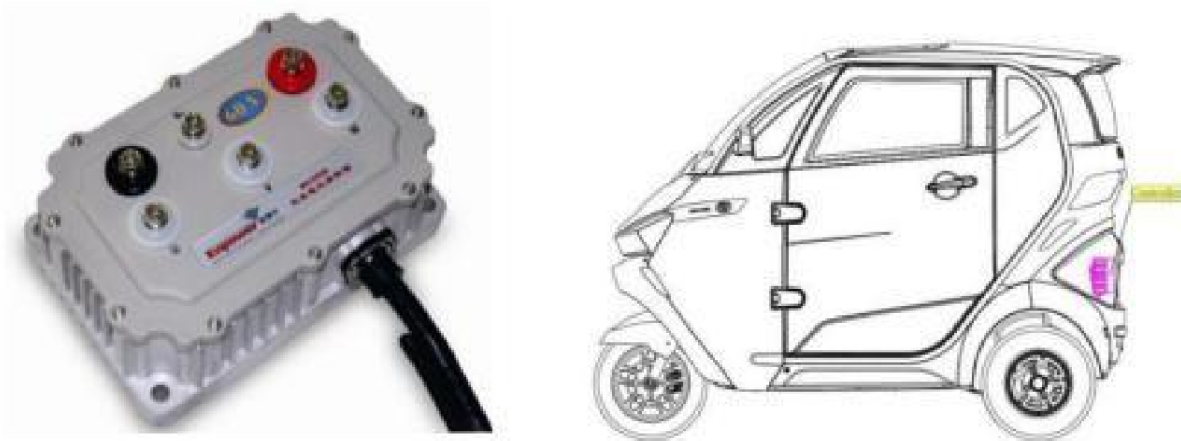
with BMS system, more than 2,500 times charging cycles(8-10 years) under working environment from -30 °C to 50 °C. Equipped with hill-start assist control.

Can be remote online monitoring. Automatic power off after full charge.



12. Electronic Control System

Use Enpower electric control system , reliable and water-proof



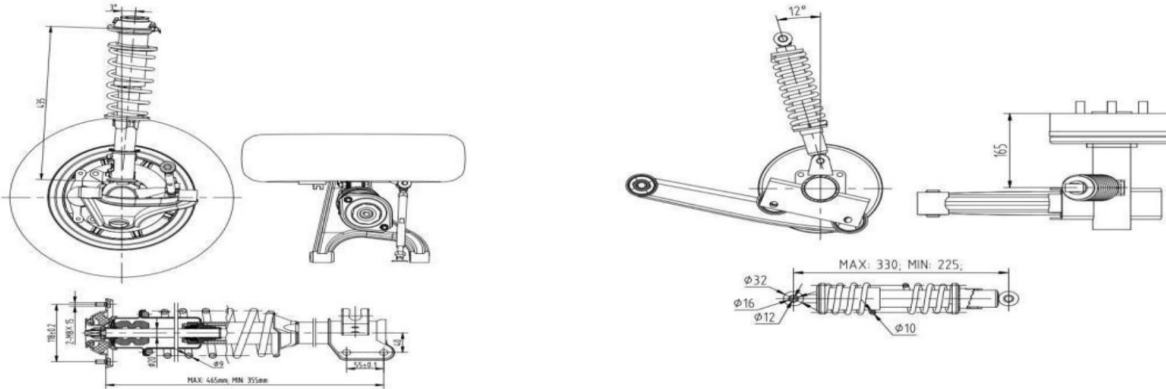
13. Brake System

Front-disc and Rear-drum,two-circuit hydraulic brake



14. Suspension System

The front axle and suspension are independent suspensions, simple structure and excellent stability. The integrated rear axle, axle housing welded by seamless steel tube, lower noise, more durable and reliable.



15. Frame & Chassis

GB Standard Steel, under pickling, Photostatting and corrosion-resistant treatment



Several kinds of Cargo Box for choose:

1, Logistics Box-- Cellular panel (side open or wing open) :

Size: 1635*1150*1058mm



V01 one side door



V02 Double sides door



V03 Shutter door

With comprehensive strength, bending resistance, excellent properties such as corrosion resistance and high temperature resistance. 70-90% lighter than solid palate.

2, Optional Cargo Box-Equip with cooling system and heating system.

Size: 1635*1050*1058mm

Cooling system design for fruit, vegetable, seafood, drinks, medicine transportation, from -18 °C to -5°C;



V03 Refrigerated logistics box

Heating system design for takeaway, temperature from 40°C to 70 °C. The cargo box can be divided into two space, one for cooling and one for heating. Customers can adjust the temperature according to their needs to better protect the transported food or medicine.



Semi-refrigerated and semi-heated logistics box
size: 1635 * 1150 * 1580

3, Aluminium alloy hopper

Size:1635*1345*370mm

After heat treatment and alloying strengthening.



Advantage:

1. Save Cost

CKD (Completely Knocked Down) assembly reduce and save customs duty & transportation cost



2. Save time

Fast charger within 5~6 hours under home charger

3. Car sharing system

Customers can download the APP, scan the QR code on the vehicle, Users can pay the cost directly online .The company can manage all vehicles through the phones.

