

Jinma1003

Positioning:

The delivery solution for the last mile of the city. Cold chain, takeaway, express delivery, logistics and supermarket distribution, etc., it is the short-distance cargo transportation vehicle within the city.



3 wheels, 1 driver seat

Size: 2300x1260x1700mm

Size of cargo:580*1080*995mm

Curb weight:360kg

Loading capacity :200kg

Max.speed:45km/h

105Ah lithium battery Max distance 115km ,with fast charge system, full charge in 3 hours;

Options 206Ah lithium battery Max distance can reach 200km, with fast charge system, full charge in 6 hours.

Color: White&Silver Red&Silver Blue&Silver Grey&Black

Details of the vehicle:

1. ABS Resin Plastic Cover and painting

Whole cover with ABS Resin plastic , have excellent comprehensive physical, impact resistance ,Stability, two-thirds lighter weight than iron.

Automobile-grade,Robot-painting .

2, LED Light System

The integrate LED head &rear-light

Turn lights, brake lights, reverse lights. Low power consumption and increase 50% more in light transmittance.



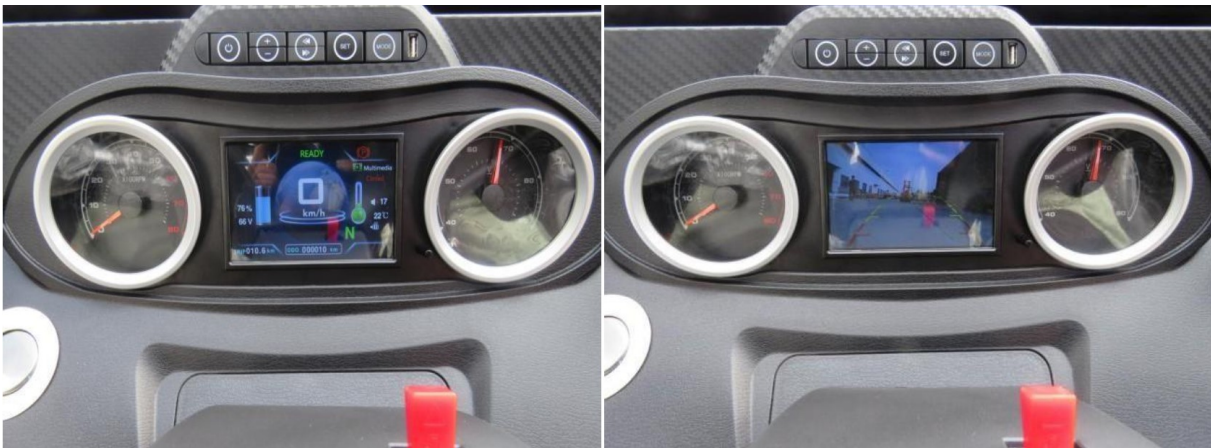
3, Front Windshield

CCC certified tempered and laminated glass Improve visual and more safety.



4,Dashboard

LCD display, volt meter, power meter, kilometer and reverse camera,plus Bluetooth, MP5,USB connector.



5, Central lock and One button start



6, Electric Windows

7, Mat on the whole car

8, Optional Air Conditioner

9, Seat with belt

Genuine Leather with PU, optional rotating seat for easy getting on and off.

10. AC Motor (3000W)

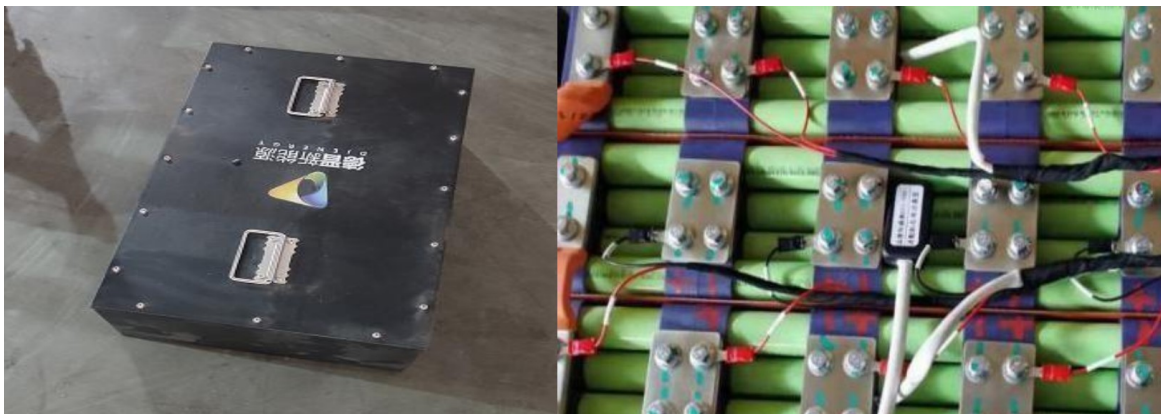
AC motor with powerful and water proof, lower noise, no carbon brush, maintenance-free. Equipped with fast home charging system.



11.Lithium Iron Phosphate Battery

with BMS system, more than 2,500 times charging cycles(8-10 years) under working environment from -30 to 50 °C. Equipped with hill-start assist control.

Can be remote online monitoring. Automatic power off after full charge.



12.Electronic Control System

Use En-power electric control system , reliable and water-proof



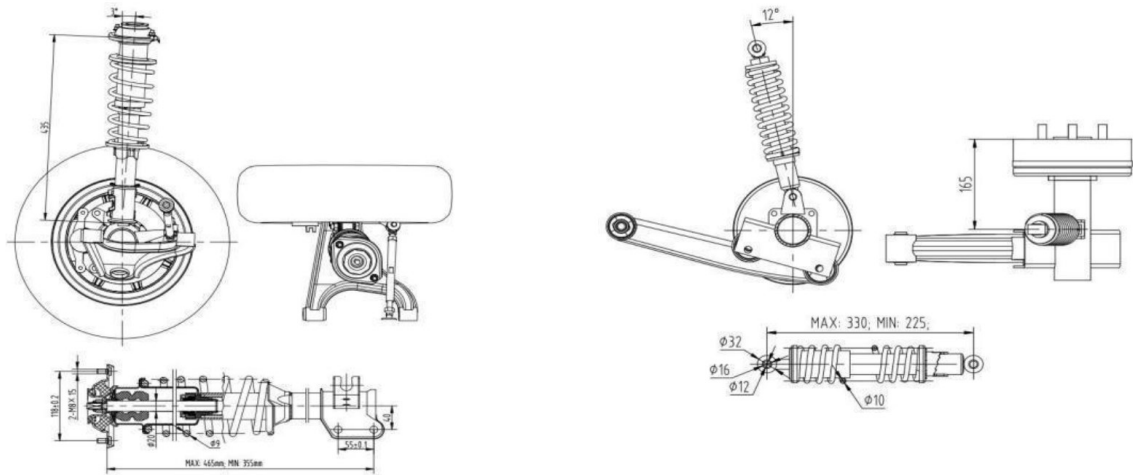
13. Brake System

Front-disc Rear-drum,two-circuit hydraulic brake.



14.Suspension System

The front axle and suspension are independent suspensions, simple structure and excellent stability. The integrated rear axle, axle housing welded by seamless steel tube, lower noise, more durable and reliable.



15. Frame&Chassis

GB Standard Steel, under pickling, Photostating and corrosion-resistant treatment



All kinds of Cargo Box for choose:

1, Cargo Box

Size:580*1080*995mm

It is a new type of inorganic environmental protection with high-performance , can be directly degraded in the environment after being discarded. With excellent properties such as electrical insulation, corrosion resistance and high temperature resistance.



2,Optional Cargo Box-Equip with cooling system and heating system.

Size:580*1080*995mm

Cooling system design for fruit,vegetable, seafood, drinks, medicine transportation, Adjustable refrigeration temperature from -18°C~10°C

Heating system design for takeaway , adjustable heating temperature from 40°Cto 60 °C. Cargo box can be divided to two space, one for cooling and one for heating.

Advantage

1. Save Cost

CKD (Completely Knocked Down) assembly reduce and save customs duty & transportation cost



2. Save time

Fast charger within 4-5 hours under home charger

3.Car sharing system

Shenzhen Rooder Electric Vehicles Co., Ltd.

Customers can download the APP, scan the QR code on the vehicle, Users can pay the cost directly online .The company can manage all vehicles through the phones.

