

## Jinma2001, EEC approved (L6e)

### Positioning:

Short distance driving for shopping, daily commute, family's second or third vehicle.



4 wheels, 2 seats

Capacity (person) : 2-3

Size: 2390x1200x1700mm

Curb weight: 416kg

Loading capacity :190kg

Max. speed: 45km/h

Steering Mode: Middle Steering Wheel

105Ah lithium battery Max range 115km ,with fast charger system can be full charge in 3 hours

Color: White&Silver Red&Silver Blue&Silver Grey&Black

### Details of the vehicle:

#### 1,ABS Resin Plastic Cover and painting

Whole cover with ABS Resin plastic , have excellent comprehensive physical, impact resistance ,Stability, two-thirds lighter weight than iron.

Automobile-grade,Robot-painting .



## 2, LED Light System

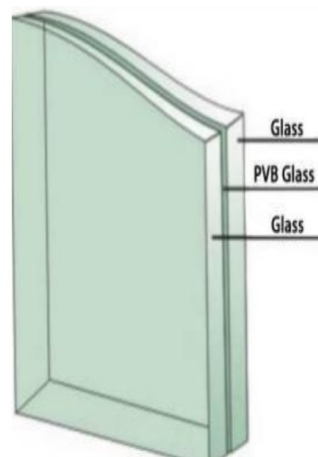
The integrate LED head & rear-light

Turn lights, brake lights, reverse lights. Low power consumption and increase 50% more in light transmittance.



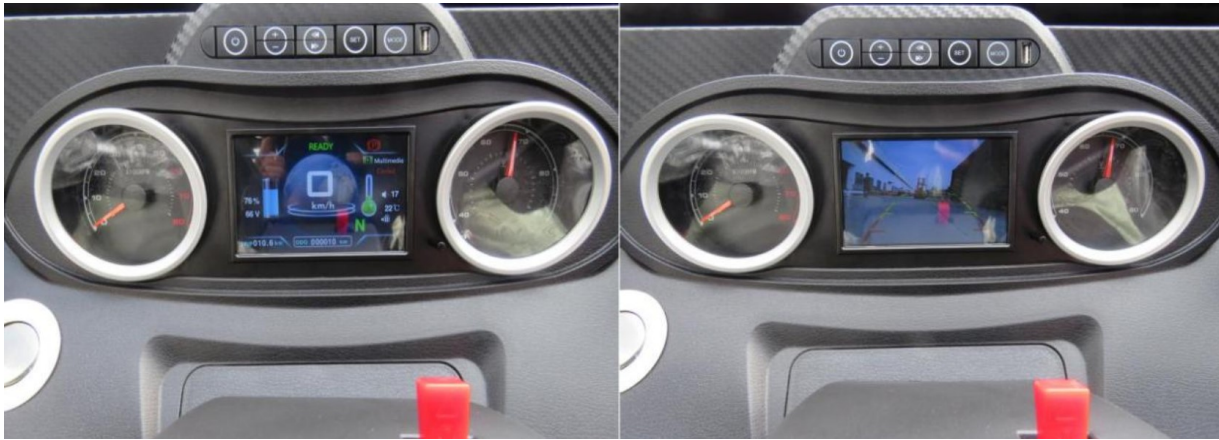
## 3, Front Windshield

CCC certified tempered and laminated glass Improve visual and more safety.



## 4, Dashboard

LCD display, volt meter, power meter, kilometer and reverse camera, plus Bluetooth, MP5, USB connector.



5, Central lock and One button start



6, Electric Windows

7, Mat on the whole car



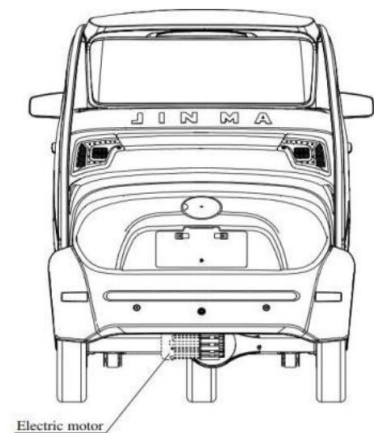
8, Optional Air Conditioner

## 9, Seat with belt

Genuine Leather with PU, optional rotating seat for easy getting on and off.

## 10.AC Motor (3000W)

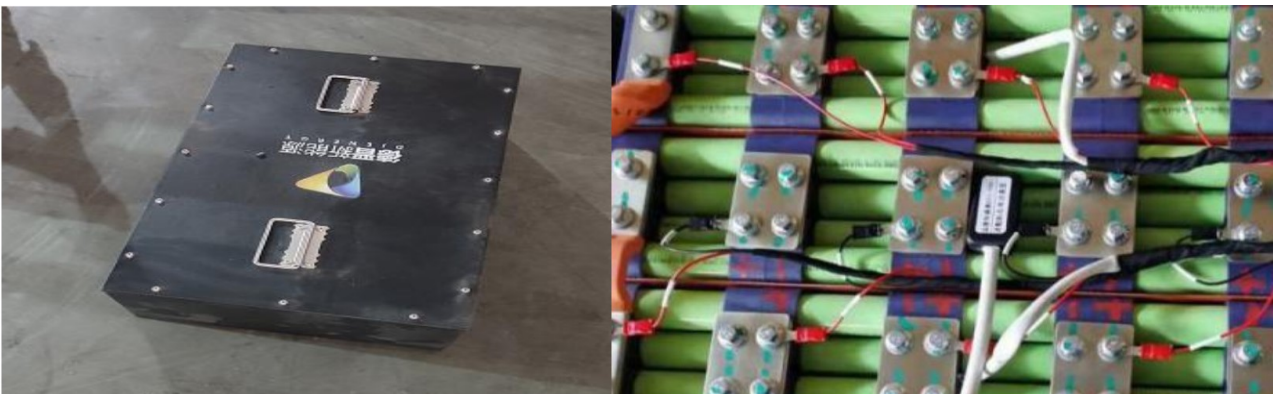
AC motor with powerful and water proof, lower noise, no carbon brush, maintenance-free. Equipped with hill-start assist control.



## 11. Lithium Iron Phosphate Battery

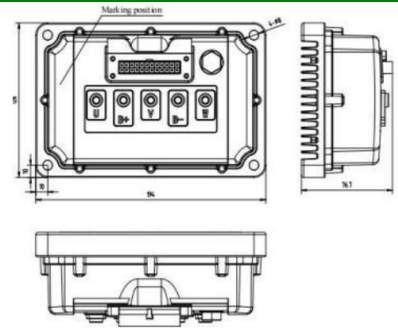
With BMS system, more than 2,500 times charging cycles(8-10 years) under working environment from -30 to 50 °C. Equipped with fast home charging system .

Can be remote online monitoring, Automatic power off after full charge



## 12.Electronic Control System

Use Enpower electric control system , reliable and water-proof



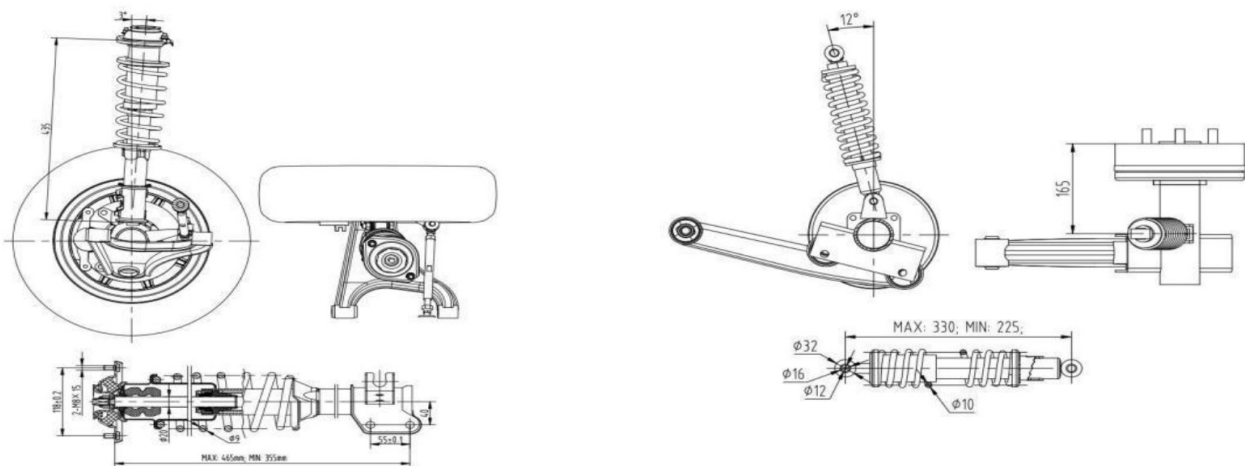
### 13. Brake System

Front-disc and Rear-drum dual circuit hydraulic brake.



### 14. Suspension System

The front axle and suspension are independent suspensions, simple structure and excellent stability. The integrated rear axle, axle housing welded by seamless steel tube, lower noise, more durable and reliable.



### 15. Frame & Chassis

GB Standard Steel, under pickling, Photostating and corrosion-resistant treatment



## Advantages:

### 1. Save Cost

CKD (Completely Knocked Down) assembly reduce and save customs duty & transportation cost , simple assembly line for local partnership ,no welding , no painting what is you do is Screw the bolt.



### 2. Save energy

Electric power consumption cost of 100Km is less than 0.5\$.



### 3.Car sharing system

Customers can download the APP, scan the QR code on the vehicle, Users can pay the cost directly online .The company can manage all vehicles through the phones.

